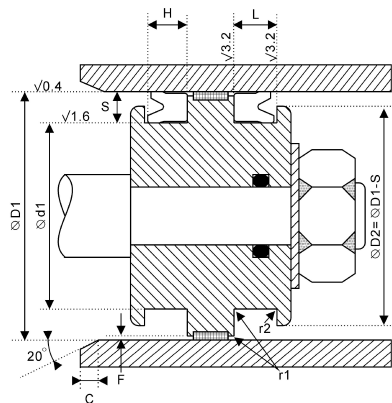




装配例



型式例

截面图	材料	温度范围	压力	速度	特点	代号
	PU	-40至100	≤40	≤0.5	运动面唇口低 防挤出, 单向 密封	W1-U
	NBR	-30至100	≤16	≤0.5	运动面唇口低, 防挤出, 单向 密封	W1-N
	FKM	-20至200				W1-F

截面宽 S	倒角 C	截面宽 S	倒角 C	压力 P	间隙 F	压力 P	间隙 F	尺寸	公差
4	3	12.5	6.5	5	0.3	40	0.125	$\phi d1$	JS10
5	3.5	15	7.5	10	0.25			$\phi D1$	H10
7.5	4	20	10	20	0.2			L	+0.25,0
10	5	25	10	30	0.15			L=H+1	

D1	d1	L1	D1	d1	L1	D1	d1	L1	D1	d1	L1	D1	d1	L1
1/8" C/S截面			3	3-1/2	3/8	3-3/8	4	3/8	4-1/2	5-1/4	1/2	5	6	1/2
3/4	1	1/8	3-1/8	3-5/8	3/8	3-3/8	4	1/2	4-1/2	5-1/4	5/8	5-1/4	6-1/4	5/8
1	1-1/4	1/4	3-1/4	3-3/4	3/8	3-5/8	4-1/4	3/8	4-3/4	5-1/2	1/2	5-1/2	6-1/2	5/8
3/16" C/S截面			3-1/2	4	3/8	3-5/8	4-1/4	1/2	4-3/4	5-1/2	5/8	6	7	3/4
1-1/4	1-5/8	5/16	3-5/8	4-1/8	3/8	3-7/8	4-1/2	1/2	5	5-3/4	1/2	6-1/2	7-1/2	5/8
1-3/8	1-3/4	5/16	3-3/4	4-1/4	3/8	5-3/8	6	1/2	5-1/4	6	3/8	6-1/2	7-1/2	3/4
1-3/4	2-1/8	5/16	4	4-1/2	3/8	.32" C/S截面			5-1/4	6	1/2	7	8	1/2
1-3/4	2-1/8	3/8	4	4-1/2	9/16	1.62	2.26	0.39	5-1/4	6	5/8	7	8	3/4
2	2-3/8	3/8	4-1/2	5	3/8	3/8" C/S截面			5-1/2	6-1/4	3/8	7-1/2	8-1/2	5/8
2-1/8	2-1/2	3/16	4-1/2	5	7/16	1-3/4	2-1/2	5/8	5-3/4	6-1/2	3/8	7-1/2	8-1/2	3/4
2-1/8	2-1/2	5/16	4-1/2	5	9/16	2-1/4	3	5/8	5-3/4	6-1/2	5/8	8	9	3/4
2-1/8	2-1/2	3/8	5	5-1/2	3/8	2-1/2	3-1/4	5/8	6	6-3/4	1/2	9	10	5/8
3-1/8	3-1/2	3/8	5	5-1/2	9/16	2-3/4	3-1/2	3/8	6-1/4	7	3/8	9	10	3/4
7/32" C/S截面			5-1/2	6	1/4	2-3/4	3-1/2	5/8	6-1/4	7	1/2	5/8" C/S截面		
1/4	11/16	3/8	5-1/2	6	3/8	3	3-3/4	3/8	6-1/4	7	5/8	3-1/2	4-3/4	9/16
1/4" C/S截面			5-1/2	6	1/2	3	3-3/4	15/32	6-1/2	7-1/4	5/8	9-1/4	10-1/2	3/4
1	1-1/2	0.357	5-1/2	6	9/16	3	3-3/4	1/2	6-3/4	7-1/2	1/2			
1-1/8	1-5/8	5/16	5/16" C/S截面			3-1/4	4	3/8	7-1/4	8	3/8			
1-1/4	1-3/4	3/8	1-1/8	1-3/4	1/2	3-1/4	4	1/2	7-1/4	8	1/2			
1-1/2	2	5/16	1-1/4	1-7/8	15/32	3-1/4	4	5/8	7-1/4	8	5/8			
1-1/2	2	3/8	1-3/8	2	3/8	3-1/2	4-1/4	3/8	.380" C/S截面					
1-3/4	2-1/4	3/8	1-3/8	2	7/16	3-3/4	4-1/2	3/8	2	2.765	0.486			
2	2-1/2	3/8	1-3/8	2	0.44	3-3/4	4-1/2	1/2	2-1/2	3.26	0.486			
2-1/16	2-9/16	1/4	1-3/8	2	1/2	3-3/4	4-1/2	5/8	1/2" C/S截面					
2-1/16	2-9/16	11/32	1-5/8	2-1/4	1/2	4-1/4	5	3/8	10	11	5/8			
2-1/4	2-3/4	5/16	1-7/8	2-1/2	3/8	4-1/4	5	1/2	10	11	3/4			
2-1/4	2-3/4	3/8	2-3/8	3	3/8	4-1/4	5	5/8	11	12	5/8			
2-1/2	3	3/8	2-3/8	3	1/2	4-3/8	5-1/8	1/2	11	12	3/4			
2-3/4	3-1/4	3/8	2-7/8	3-1/2	1/2	4-1/2	5-1/4	3/8	4-1/8	5-1/8	0.59			